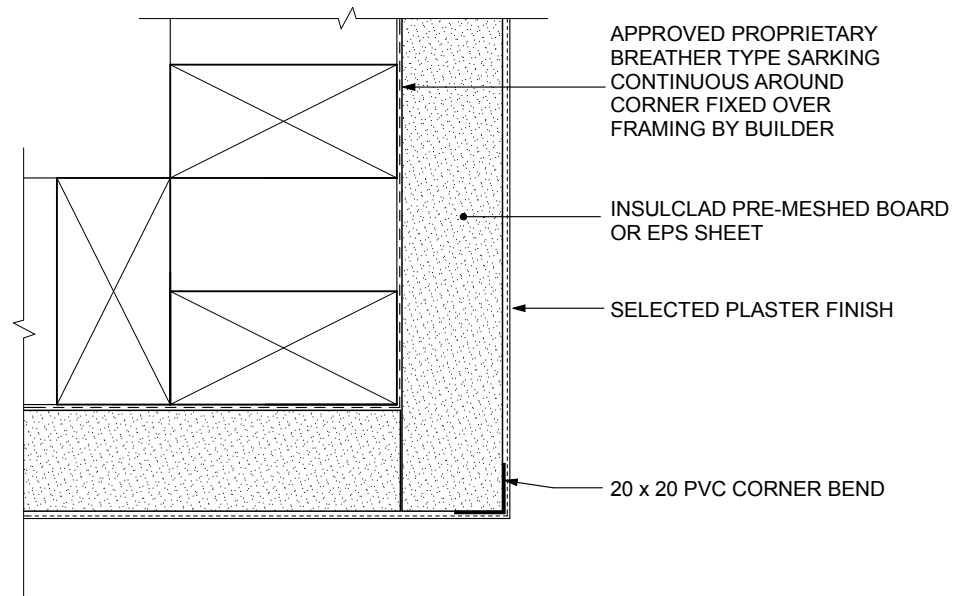


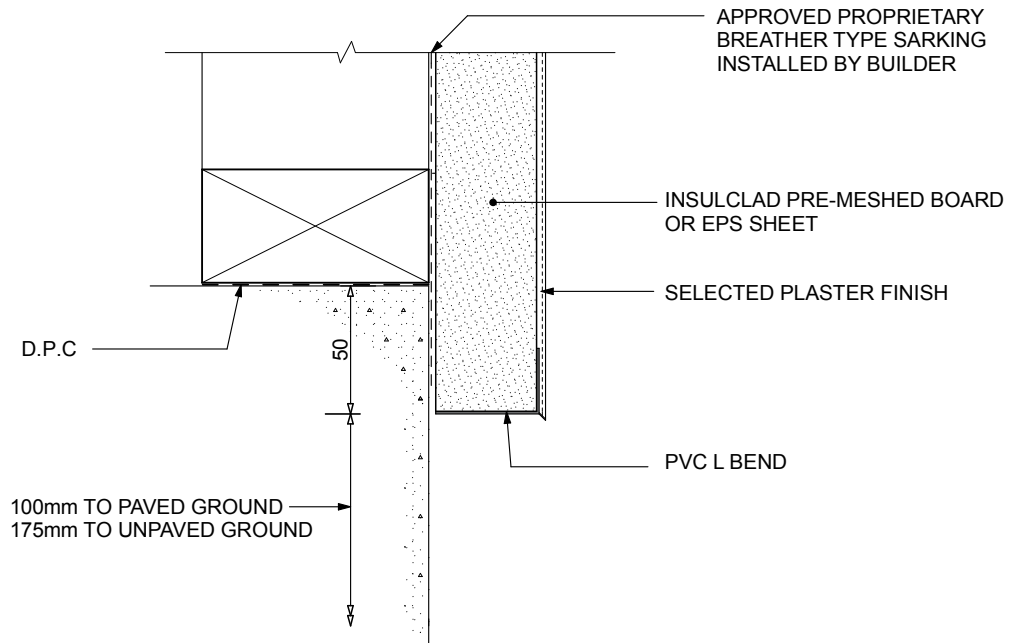
**INTERNAL SQUARE CORNER - DIRECT FIXED**

NOVEMBER 2010



## EXTERNAL SQUARE CORNER - DIRECT FIXED

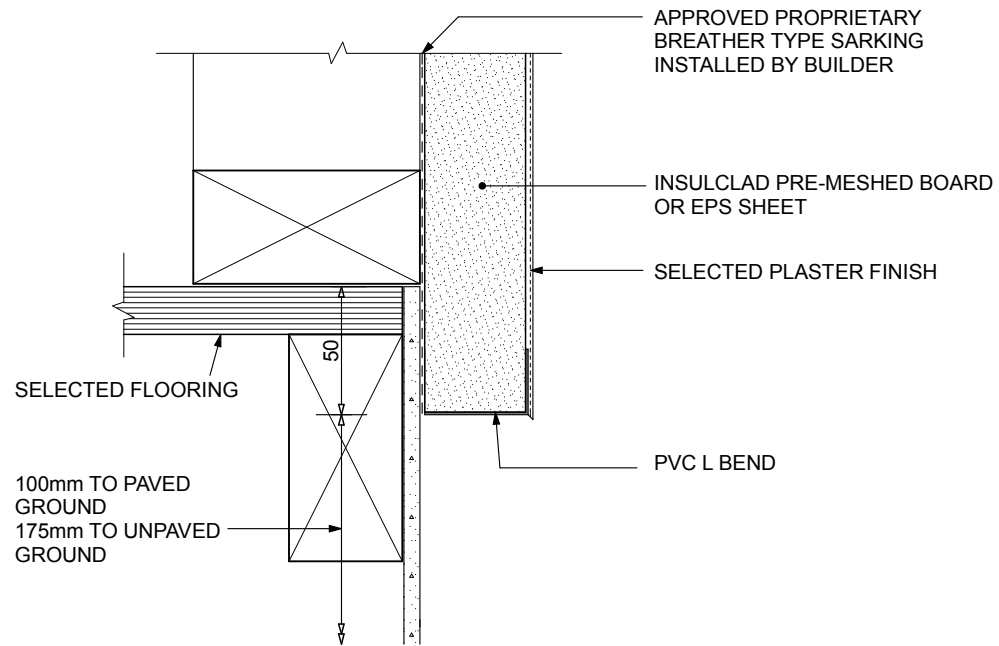
NOVEMBER 2010



## CONCRETE SLAB FLOOR - DIRECT FIXED

NOVEMBER 2010

NOTE:  
TERMITE BARRIERS TO BE INSTALLED AS REQUIRED BY THE BCA. SEEK PROFESSIONAL ADVICE

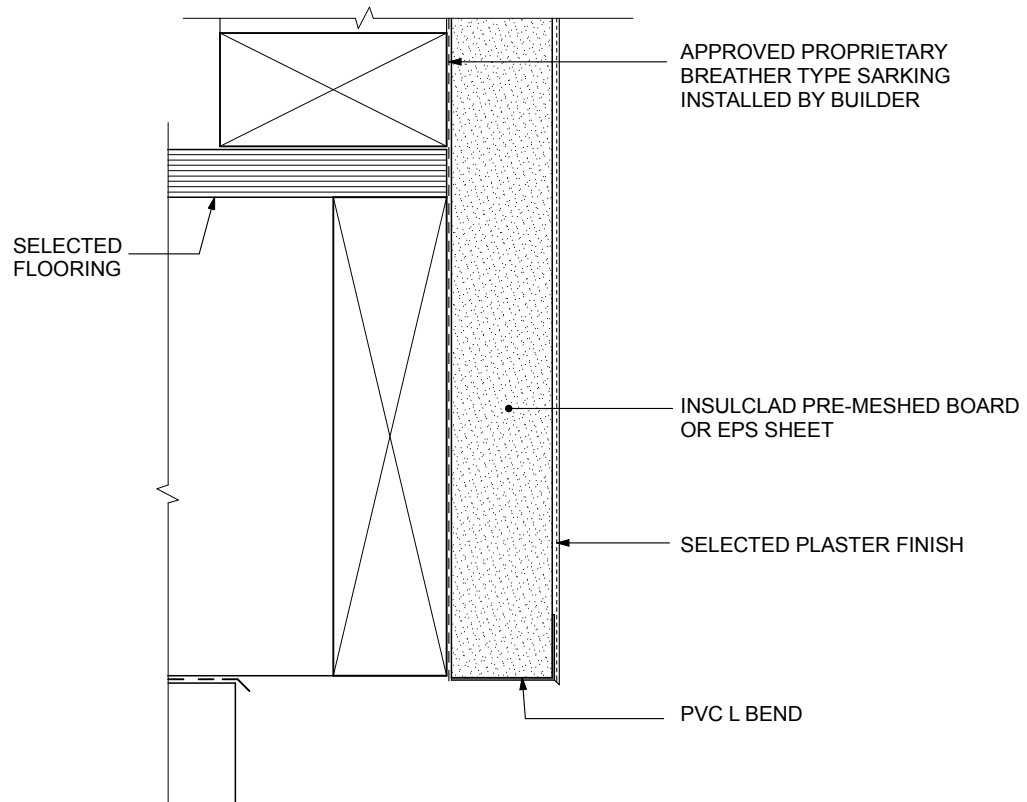


## TIMBER FLOOR FOUNDATION - DIRECT FIXED

NOVEMBER 2010

NOTE:

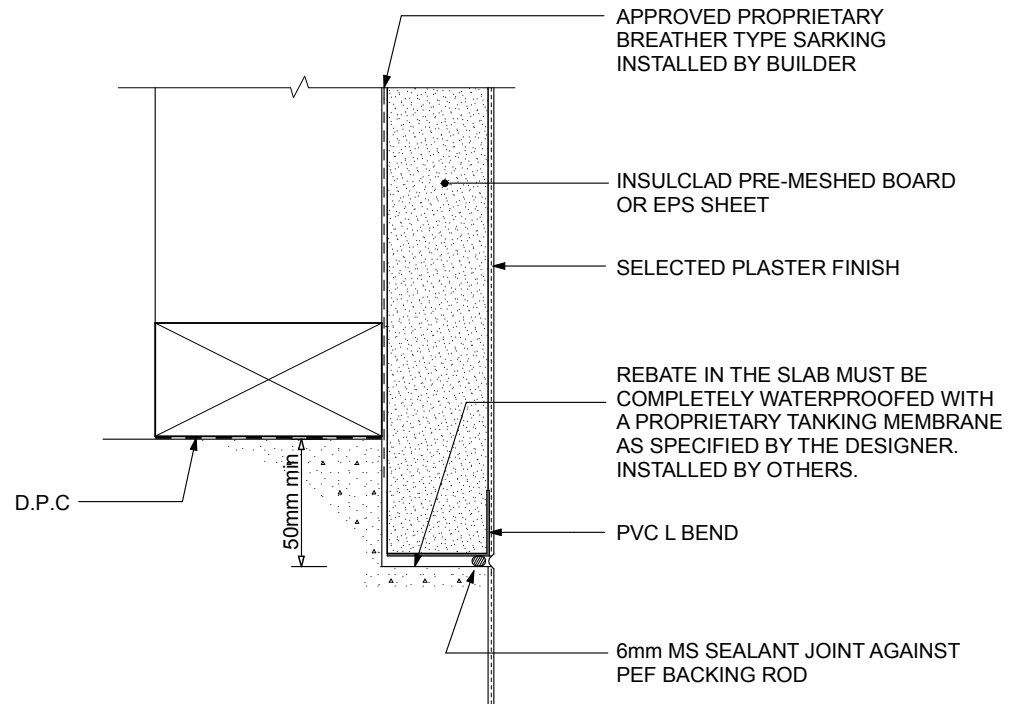
TERMITE BARRIERS TO BE INSTALLED AS REQUIRED BY THE BCA. SEEK PROFESSIONAL ADVICE



## TIMBER FLOOR FOUNDATION - DIRECT FIXED

NOVEMBER 2010

NOTE:  
TERMITE BARRIERS TO BE INSTALLED AS REQUIRED BY THE BCA. SEEK PROFESIONAL ADVICE

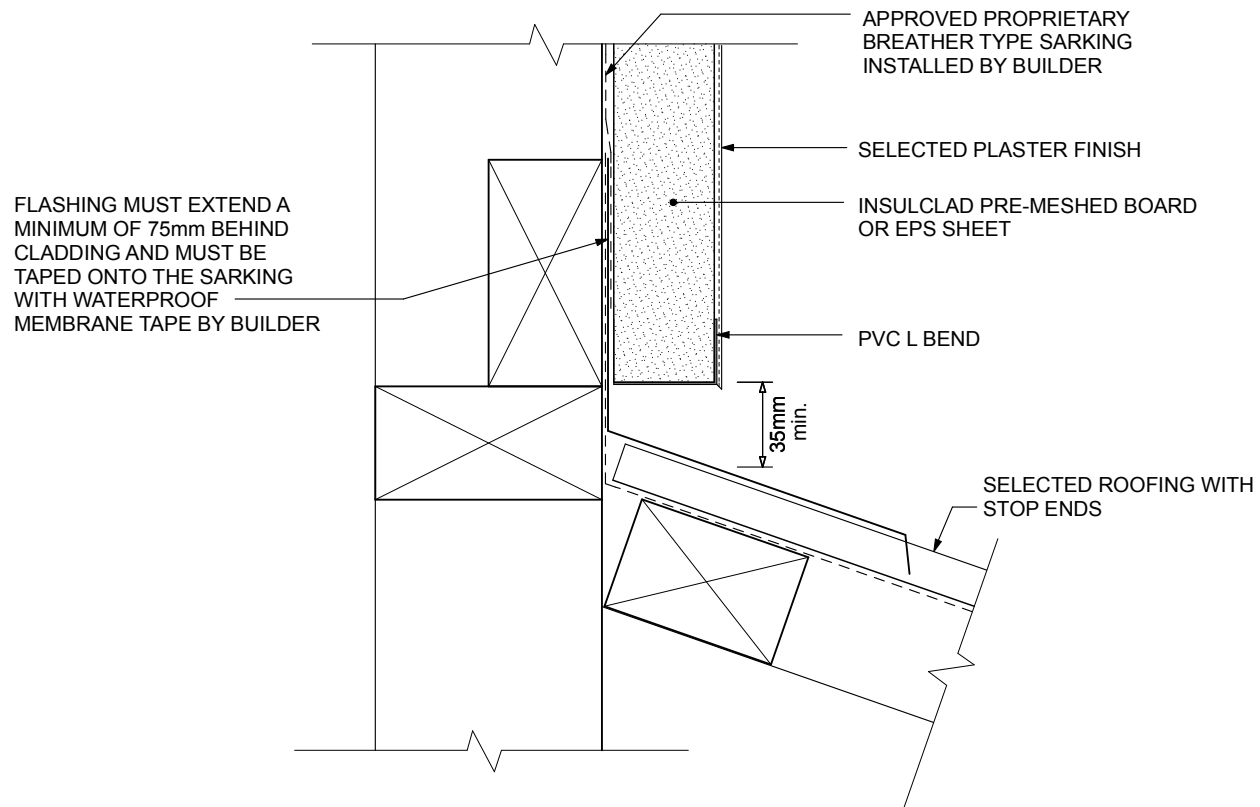


## REBATED CONCRETE SLAB FLOOR - DIRECT FIXED

NOVEMBER 2010

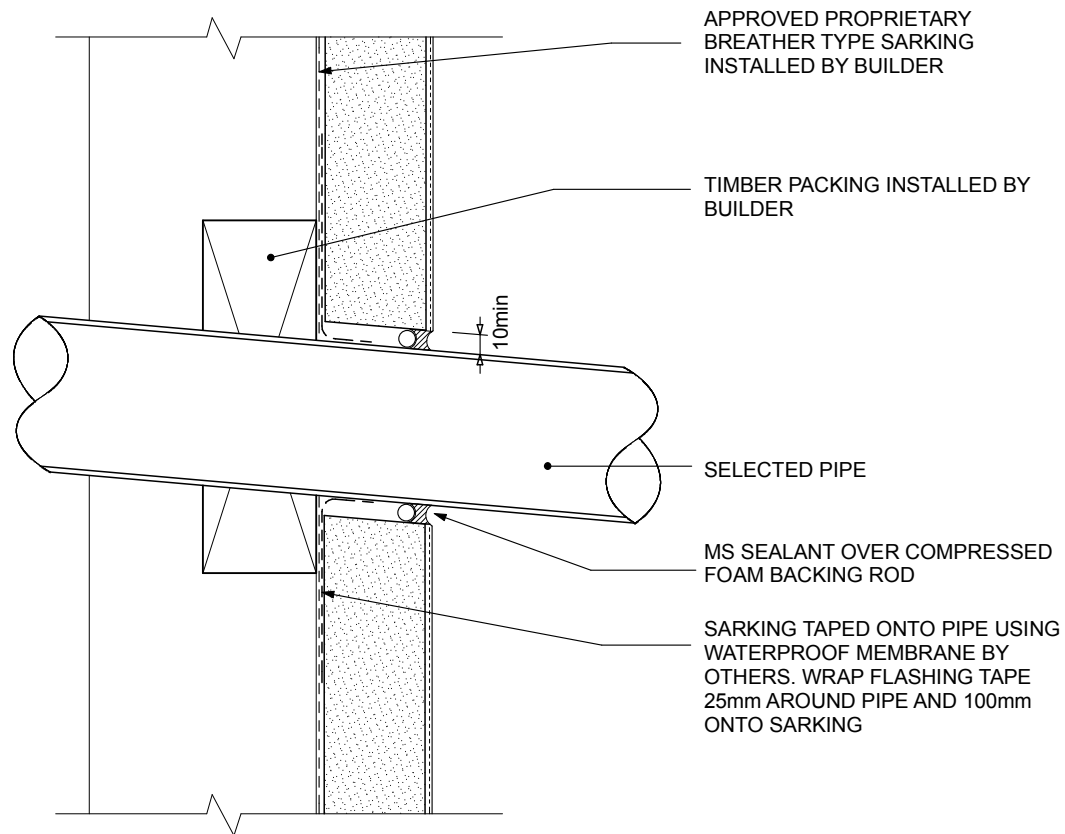
NOTE:

TERMITE BARRIERS TO BE INSTALLED AS REQUIRED BY THE BCA. SEEK PROFESSIONAL ADVICE



**ROOF / WALL JUNCTION - DIRECT FIXED**

NOVEMBER 2010

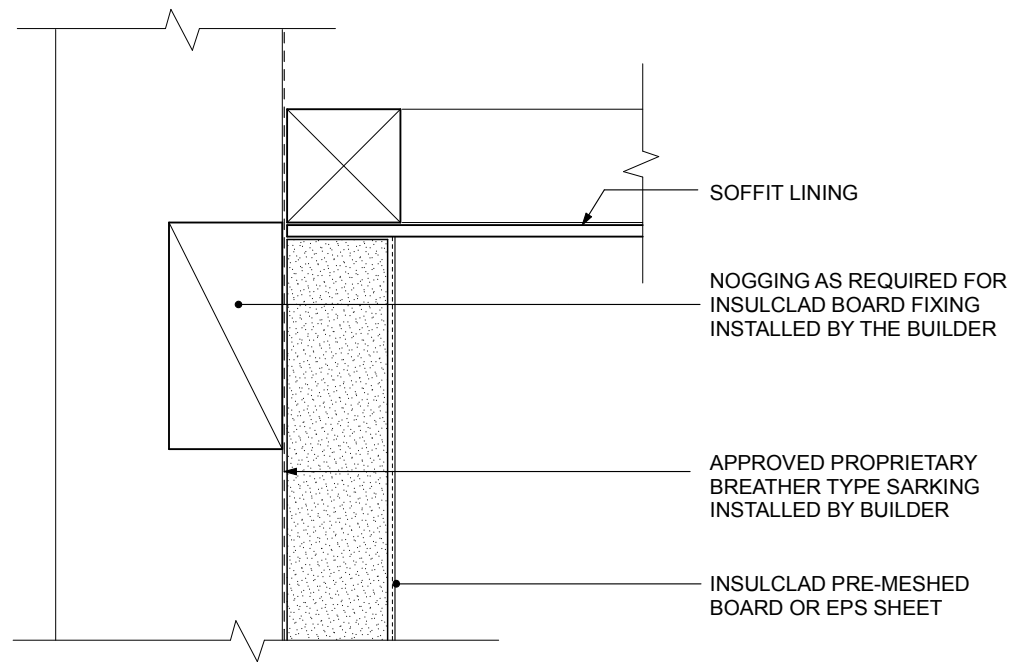


## PIPE PENETRATION - DIRECT FIXED

NOVEMBER 2010

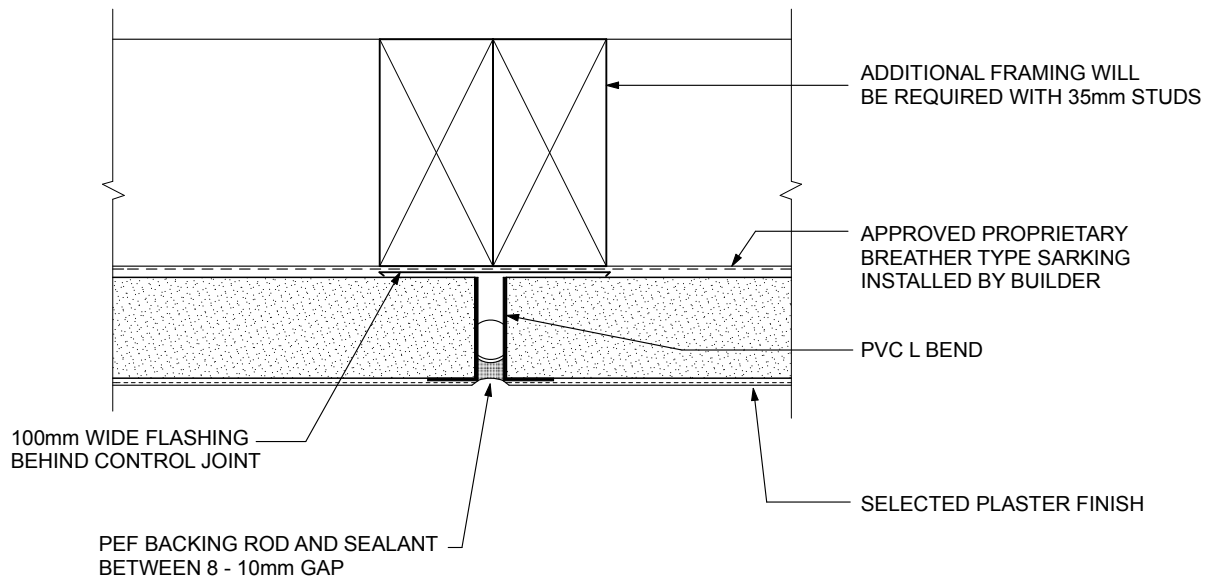
COMMENT: WHERE POSSIBLE  
PIPE PENETRATIONS SHOULD BE  
INSTALLED SLOPING DOWN





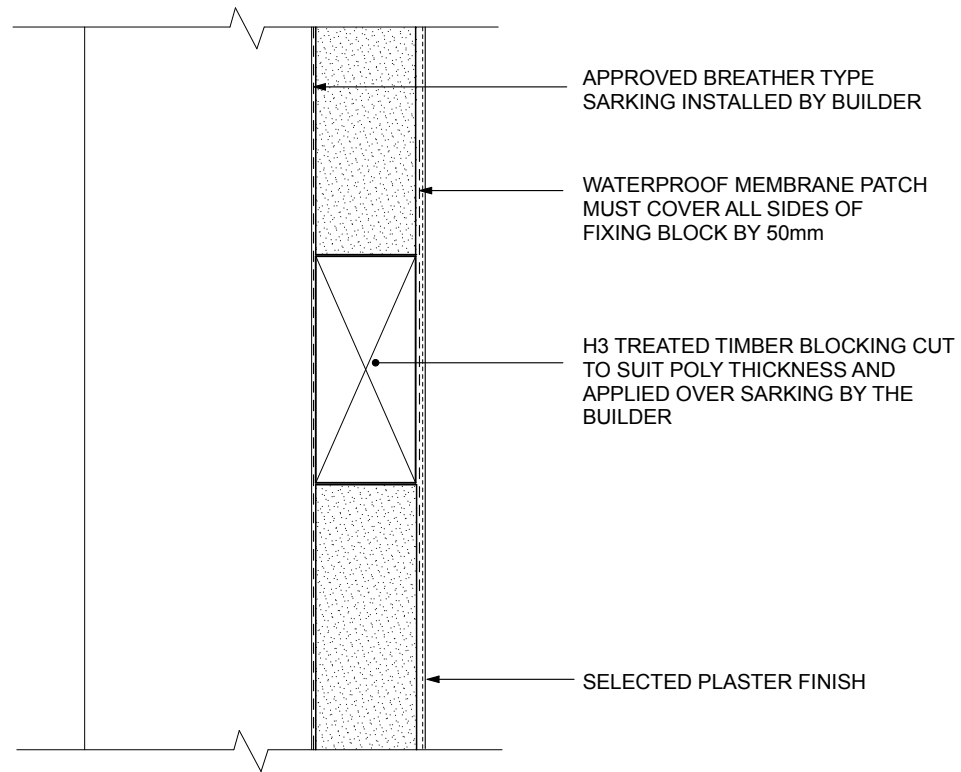
## SOFFIT DETAIL - DIRECT FIXED

NOVEMBER 2010



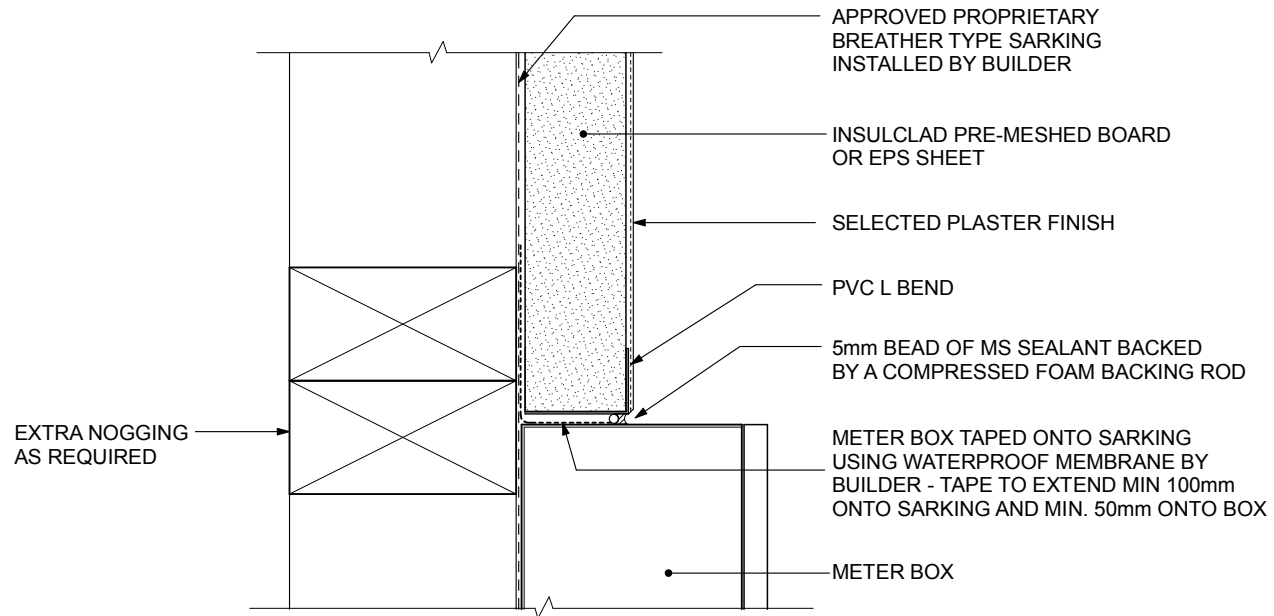
## VERTICAL CONTROL JOINT - DIRECT FIXED

NOVEMBER 2010



## FIXING BLOCK - DIRECT FIXED

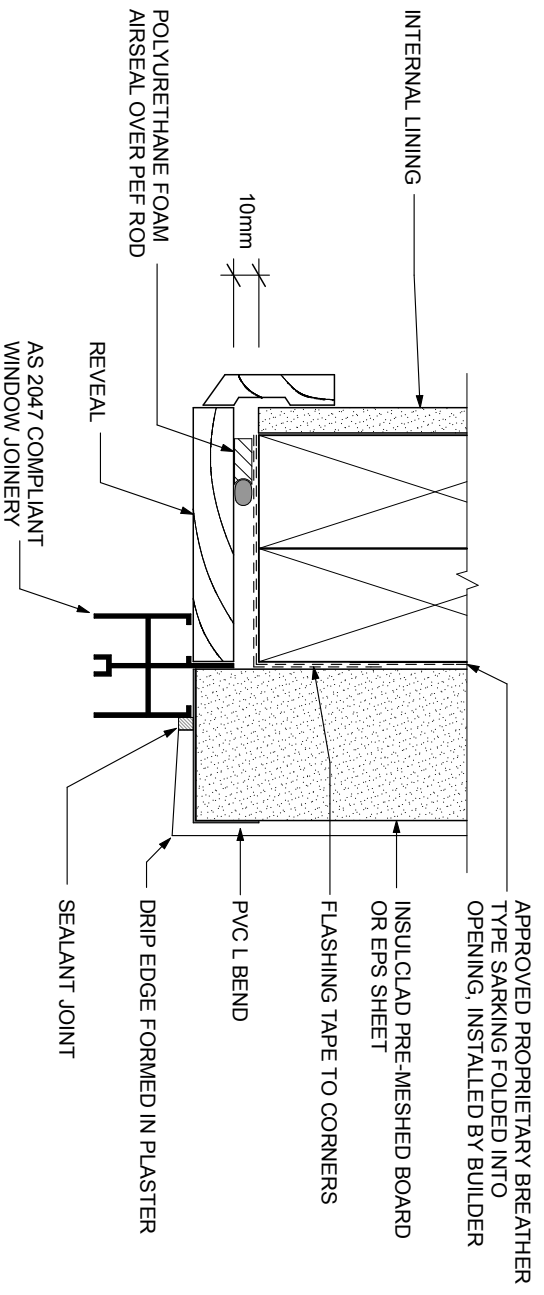
NOVEMBER 2010



## METER BOX - HEAD AND JAMB - DIRECT FIXED

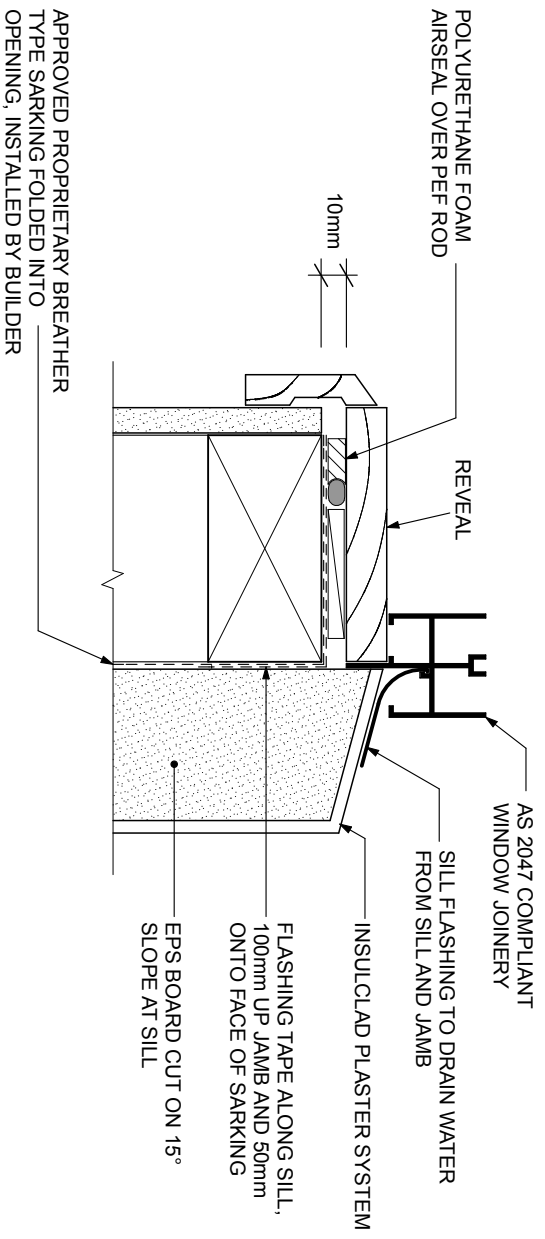
NOVEMBER 2010

NOTE:  
METER BOXES MUST BE INSTALLED IN SHELTERED LOCATIONS



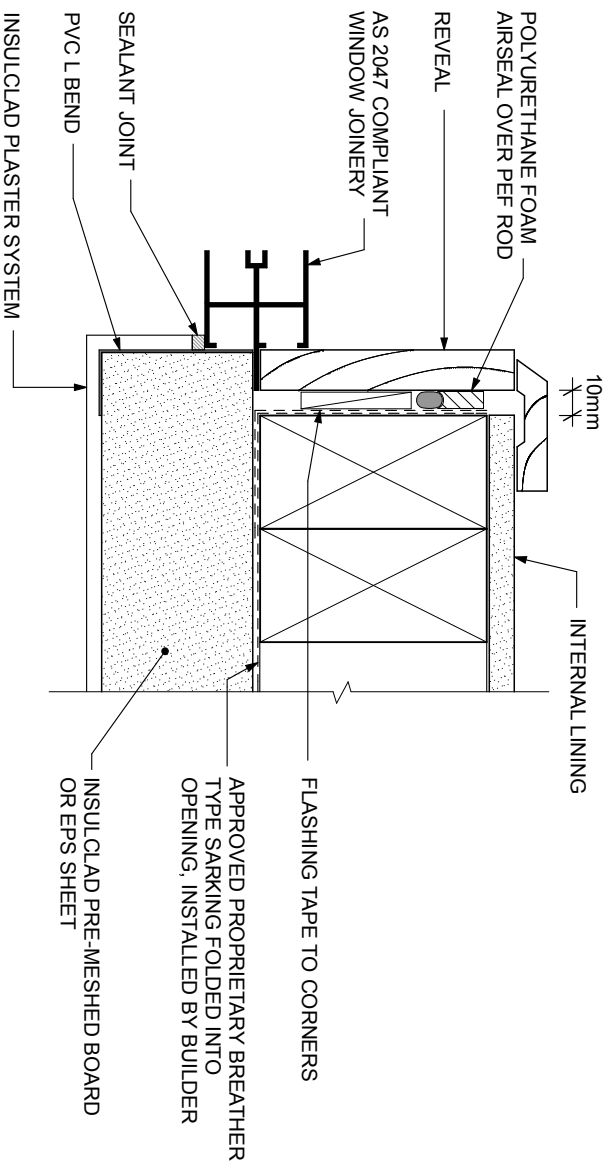
### WINDOW HEAD - DIRECT FIXED

NOVEMBER 2010



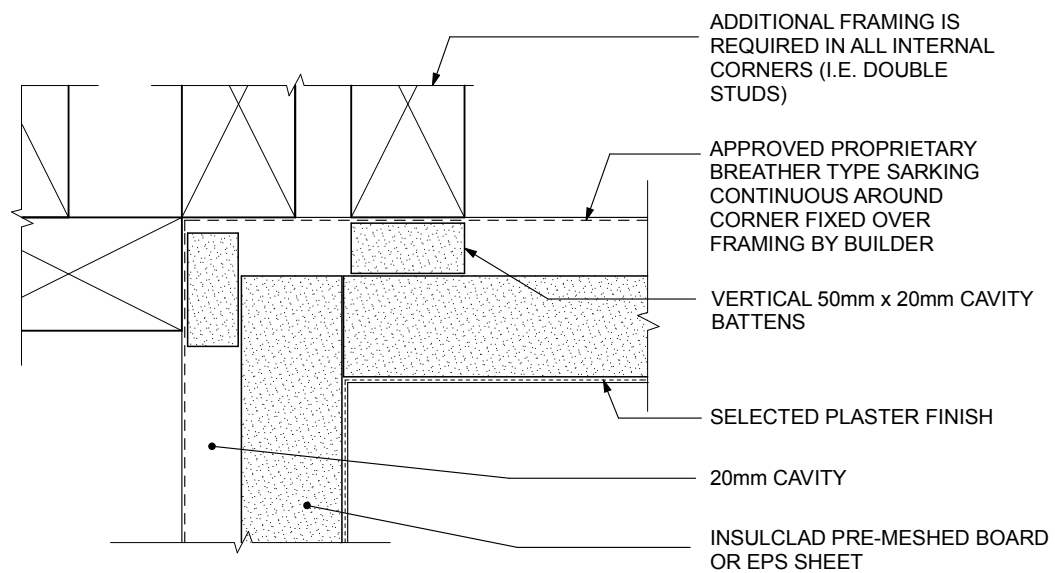
### WINDOW SILL - DIRECT FIXED

NOVEMBER 2010



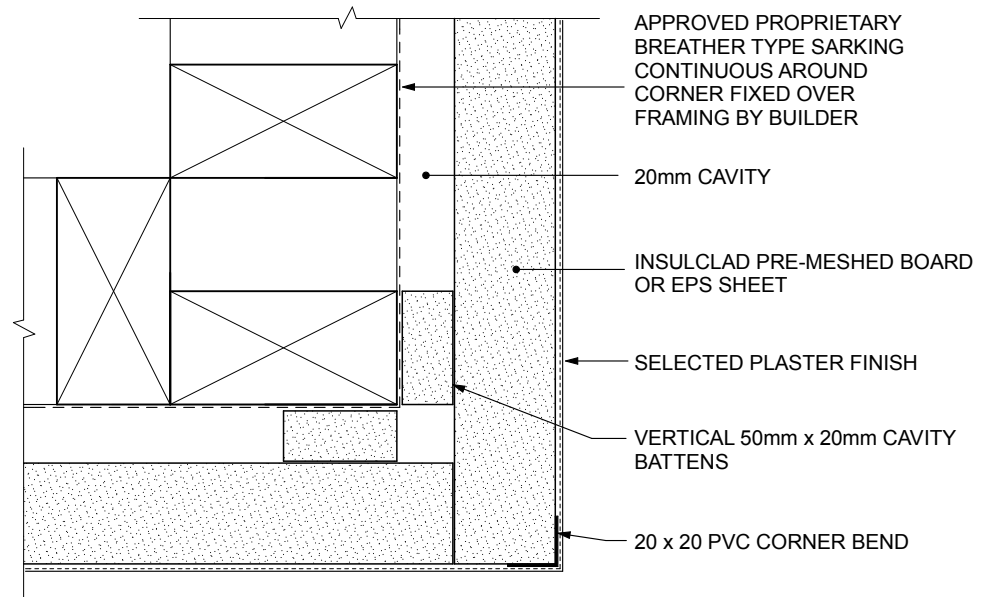
### WINDOW JAMB - DIRECT FIXED

NOVEMBER 2010

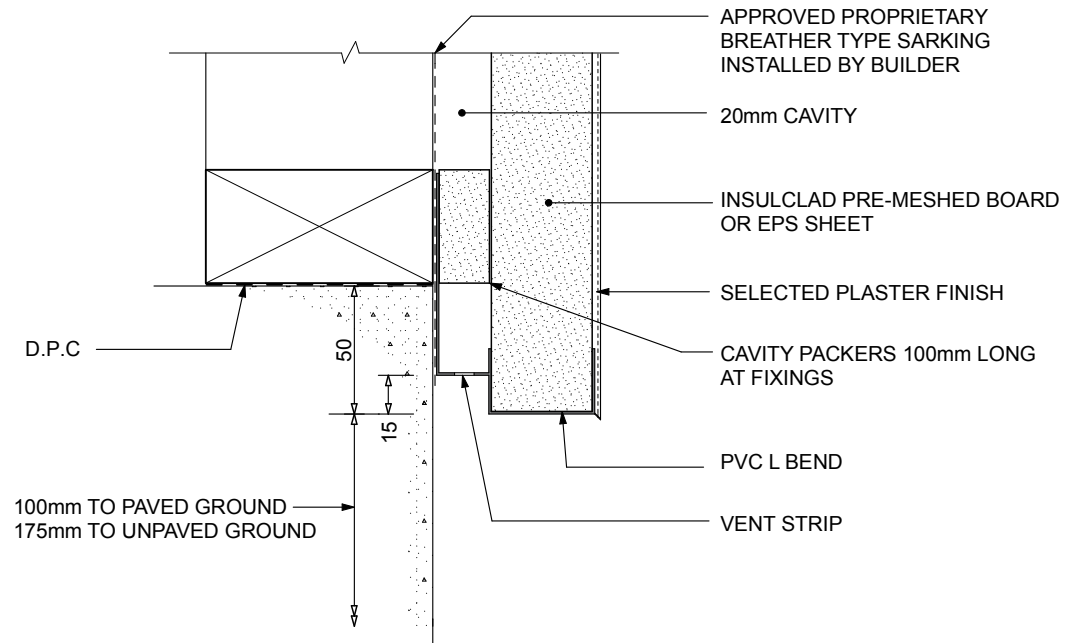


## INTERNAL SQUARE CORNER - CAVITY

NOVEMBER 2010



**EXTERNAL SQUARE CORNER - CAVITY**  
 NOVEMBER 2010



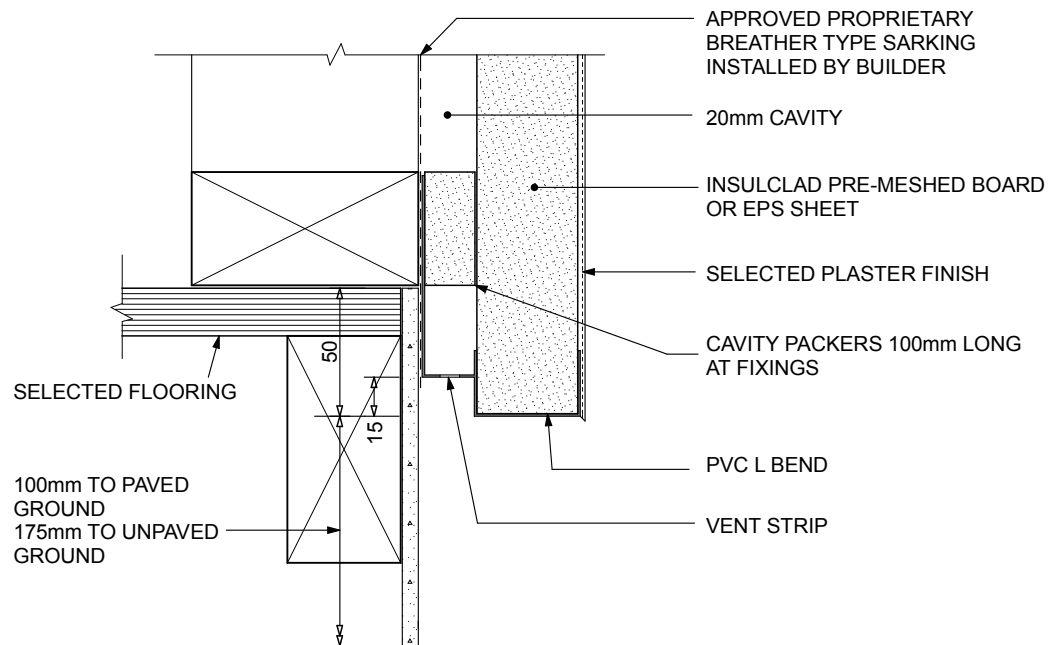
## CONCRETE SLAB FLOOR - CAVITY

NOVEMBER 2010

### NOTE:

PUNCHINGS IN VENT STRIP TO PROVIDE VENTILATION OPENINGS OF 1000mm<sup>2</sup> PER LINEAL METRE  
TERMITE BARRIERS TO BE INSTALLED AS REQUIRED BY THE BCA. SEEK PROFESSIONAL ADVICE



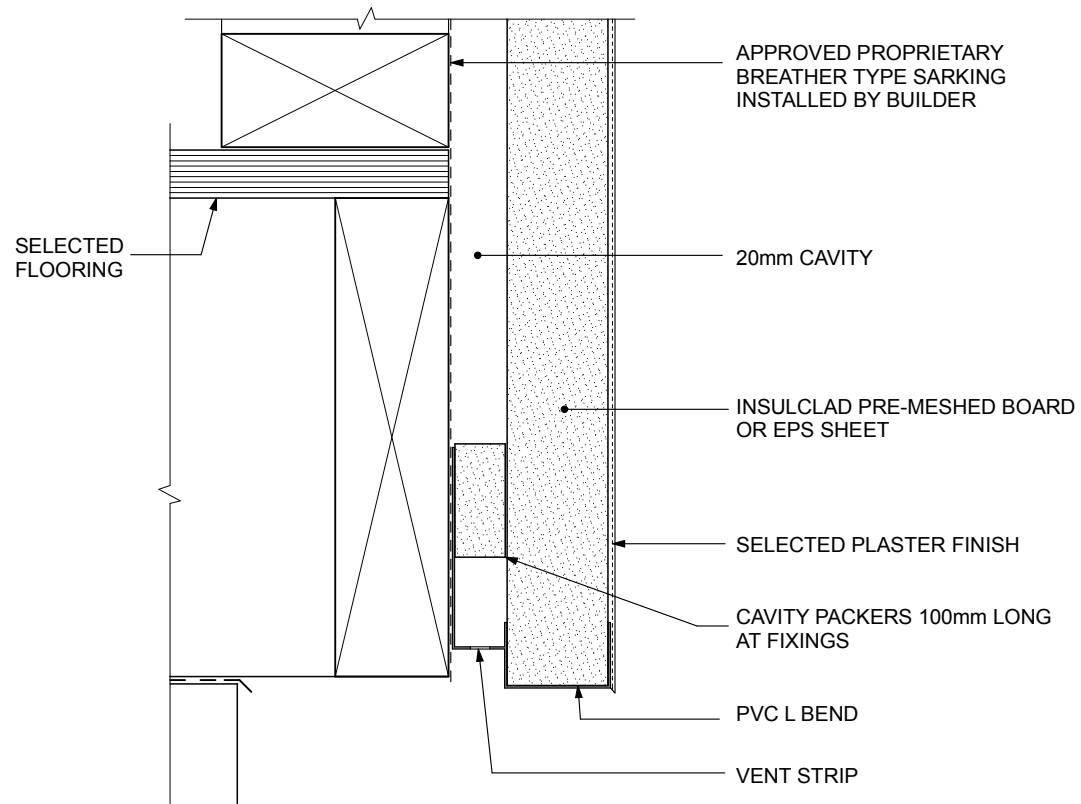


## TIMBER FLOOR FOUNDATION - CAVITY

NOVEMBER 2010

NOTE:

PUNCHINGS IN VENT STRIP TO PROVIDE VENTILATION OPENINGS OF 1000mm<sup>2</sup> PER LINEAL METRE  
TERMITE BARRIERS TO BE INSTALLED AS REQUIRED BY THE BCA. SEEK PROFESSIONAL ADVICE

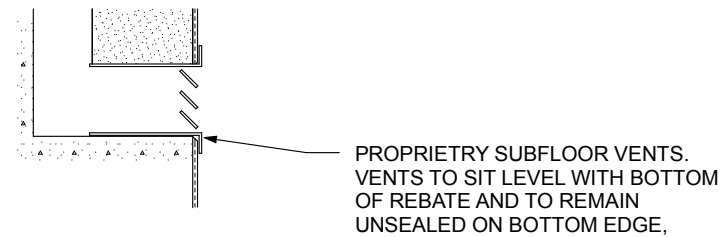
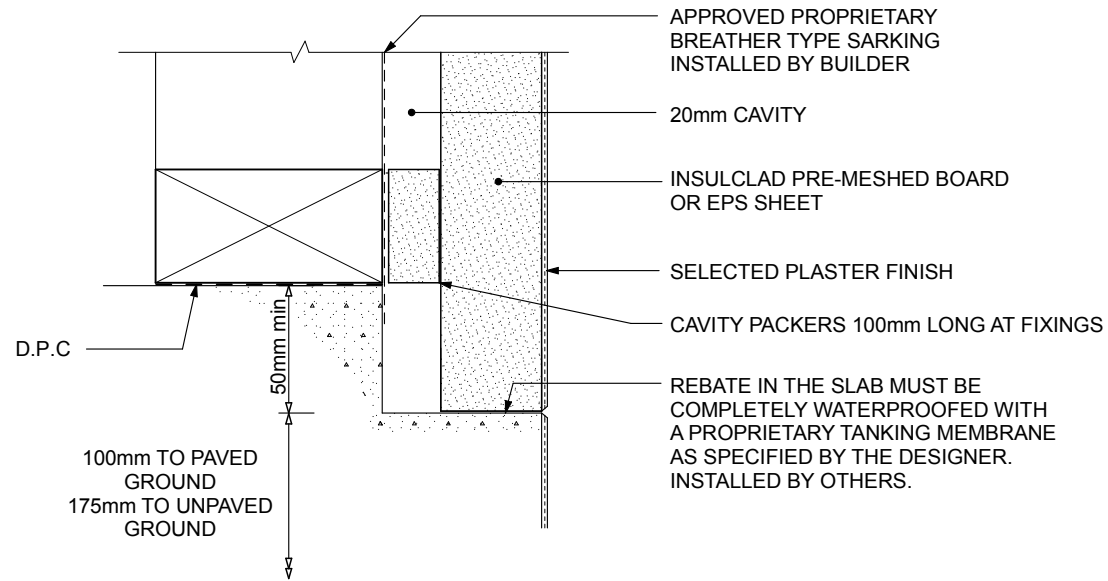


## PIER FOUNDATION - CAVITY

NOVEMBER 2010

### NOTE:

PUNCHINGS IN VENT STRIP TO PROVIDE VENTILATION OPENINGS OF 1000mm<sup>2</sup> PER LINEAL METRE  
 TERMITE BARRIERS TO BE INSTALLED AS REQUIRED BY THE BCA. SEEK PROFESSIONAL ADVICE



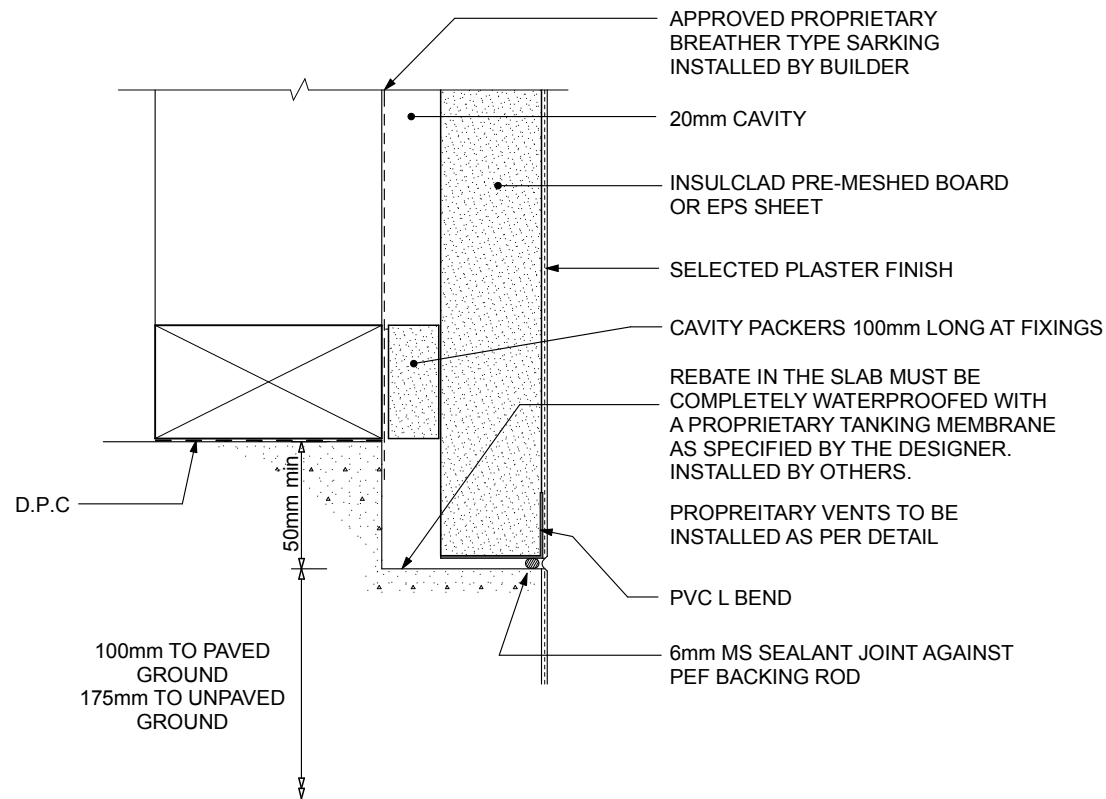
**TYPICAL VENT DETAIL**

## REBATED CONCRETE SLAB FLOOR - CAVITY

NOVEMBER 2010

**NOTE:**

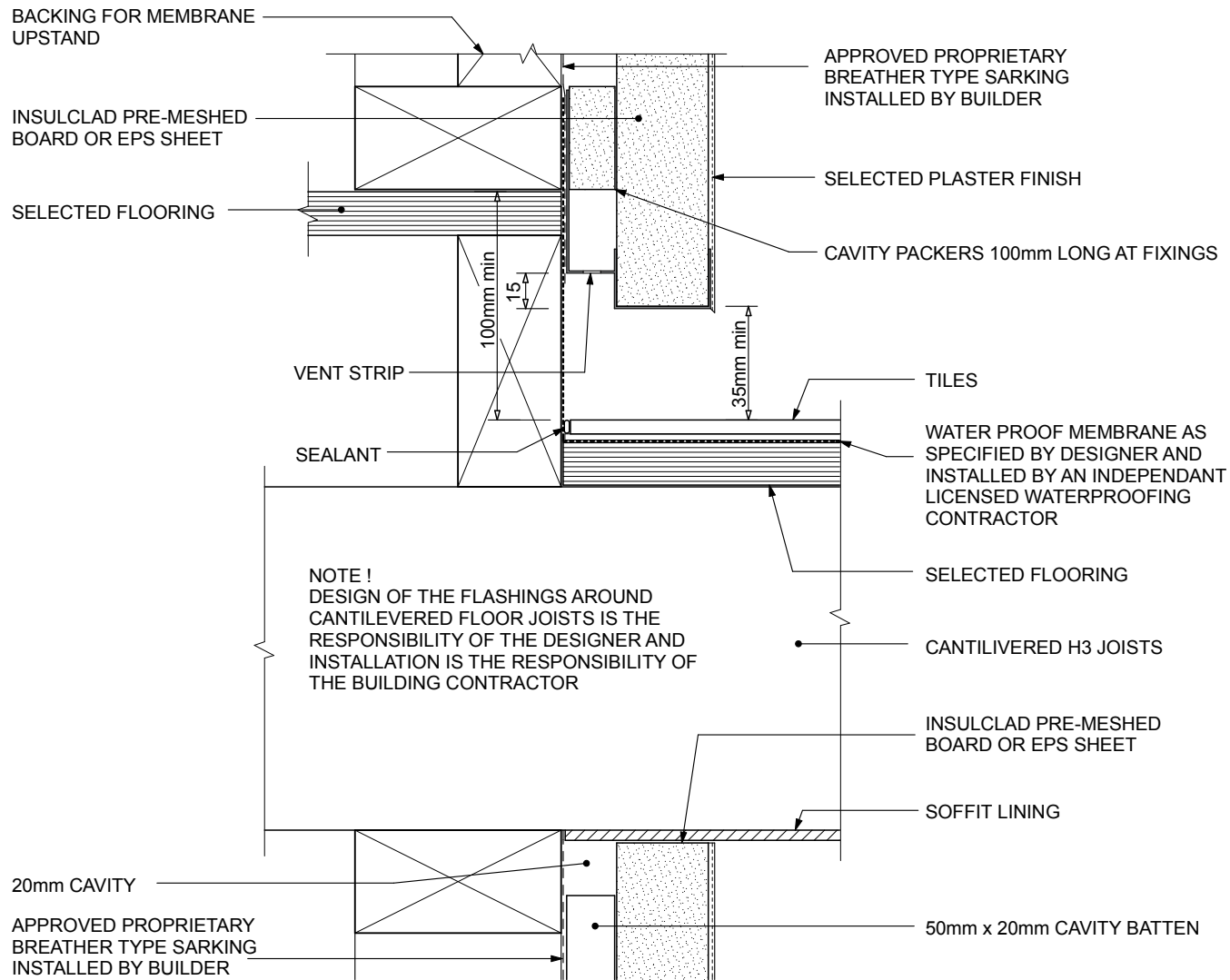
OPENINGS IN VENTS TO PROVIDE VENTILATION OPENINGS OF 1000mm<sup>2</sup> PER LINEAL METRE  
TERMITE BARRIERS TO BE INSTALLED AS REQUIRED BY THE BCA. SEEK PROFESSIONAL ADVICE



## REBATED CONCRETE SLAB FLOOR - CAVITY (IN BETWEEN VENTS)

NOVEMBER 2010

NOTE:  
TERMITE BARRIERS TO BE INSTALLED AS REQUIRED BY THE BCA. SEEK PROFESSIONAL ADVICE

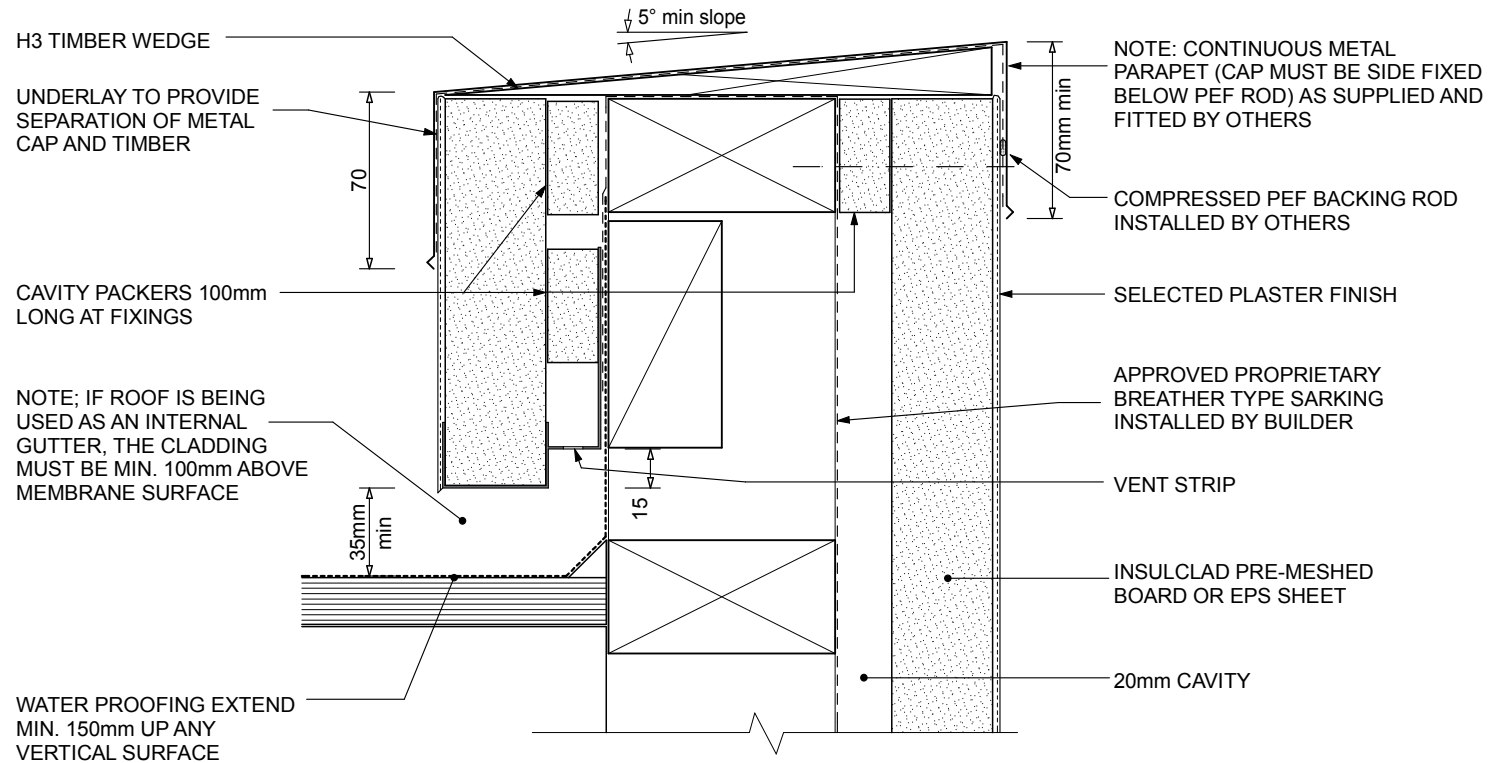


## ENCLOSED BALCONY - CAVITY

NOVEMBER 2010

### NOTE:

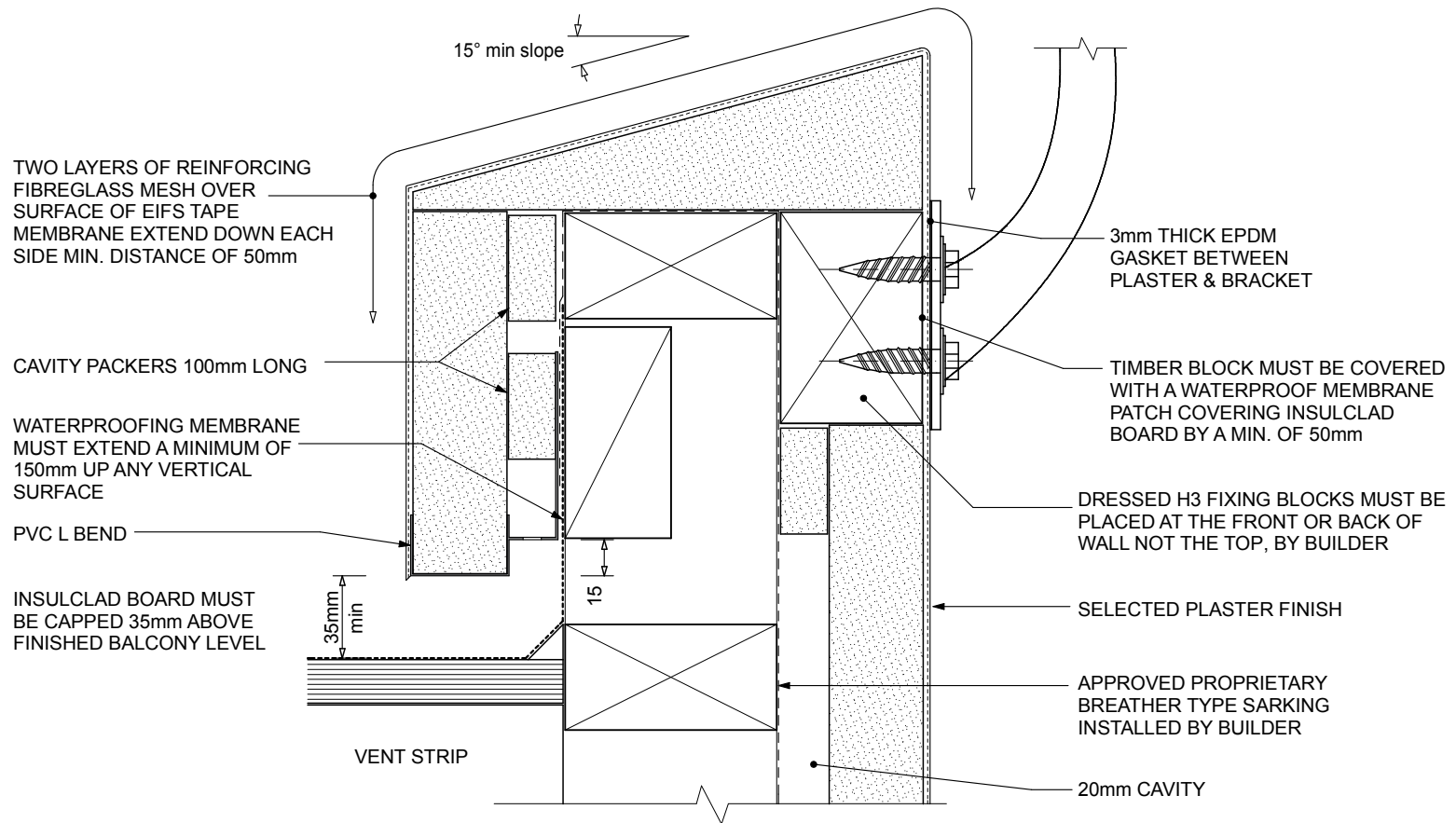
PUNCHINGS IN VENT STRIP TO PROVIDE VENTILATION OPENINGS OF 1000mm<sup>2</sup> PER LINEAL METRE  
TERMITE BARRIERS TO BE INSTALLED AS REQUIRED BY THE BCA. SEEK PROFESSIONAL ADVICE



## PARAPET METAL CAPPING - CAVITY

NOVEMBER 2010

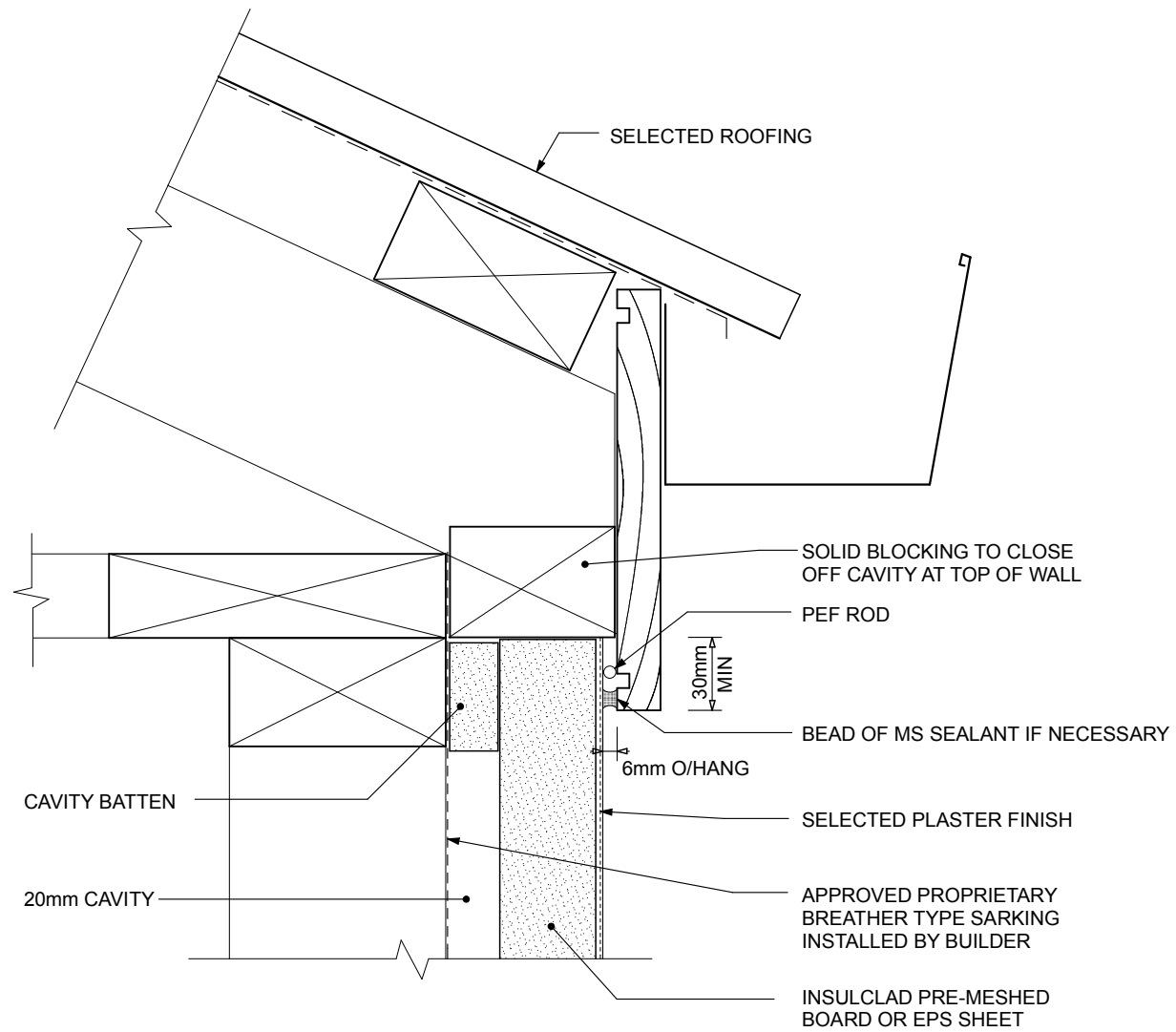
NOTE:  
PUNCHINGS IN VENT STRIP TO PROVIDE VENTILATION OPENINGS OF 1000mm<sup>2</sup> PER LINEAL METRE



## BALCONY CAPPING - CAVITY

NOVEMBER 2010

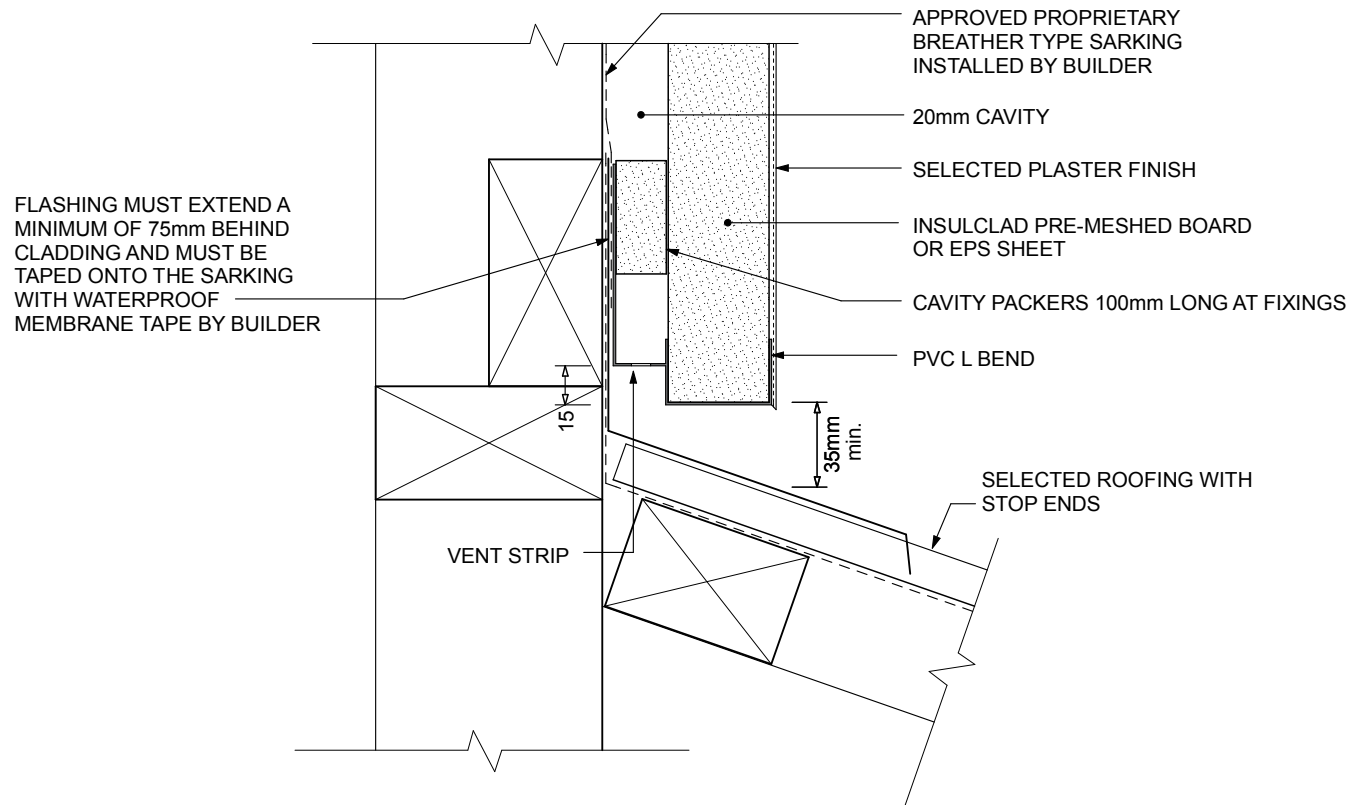
NOTE:  
PUNCHINGS IN VENT STRIP TO PROVIDE VENTILATION OPENINGS OF 1000mm<sup>2</sup> PER LINEAL METRE



## FLUSH EAVES - CAVITY

NOVEMBER 2010



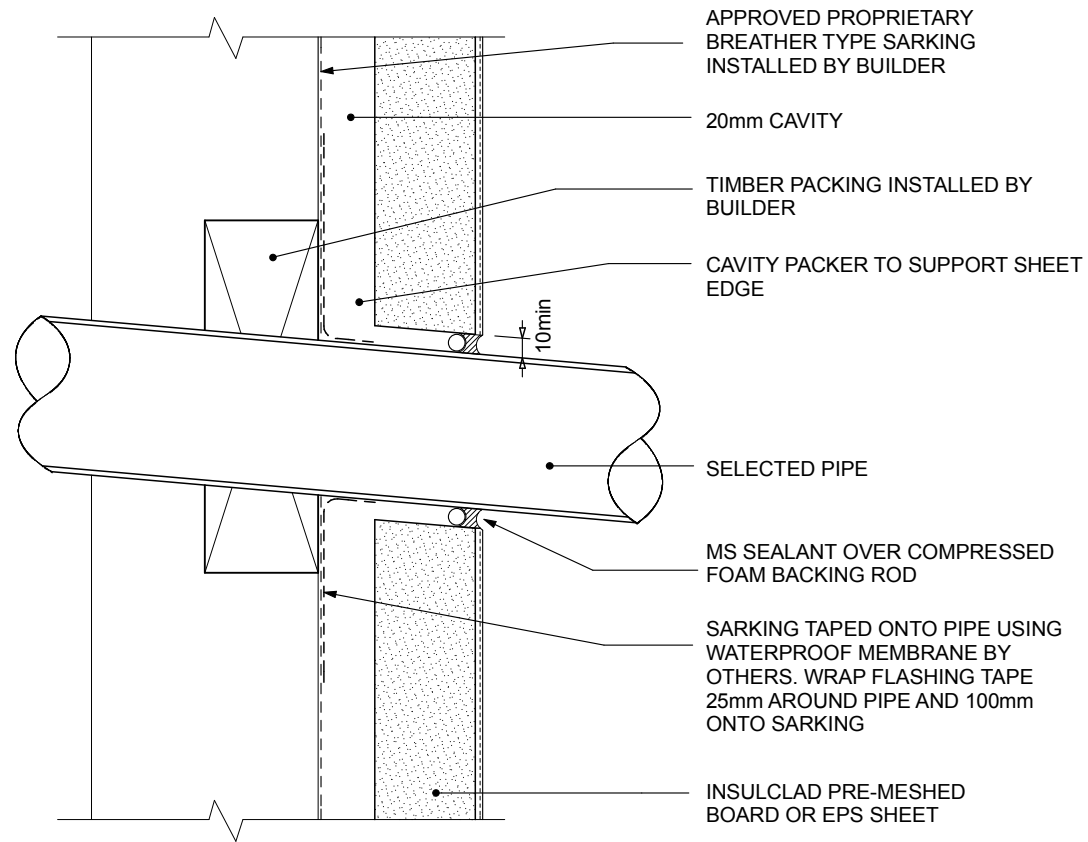


## ROOF / WALL JUNCTION - CAVITY

NOVEMBER 2010

NOTE:

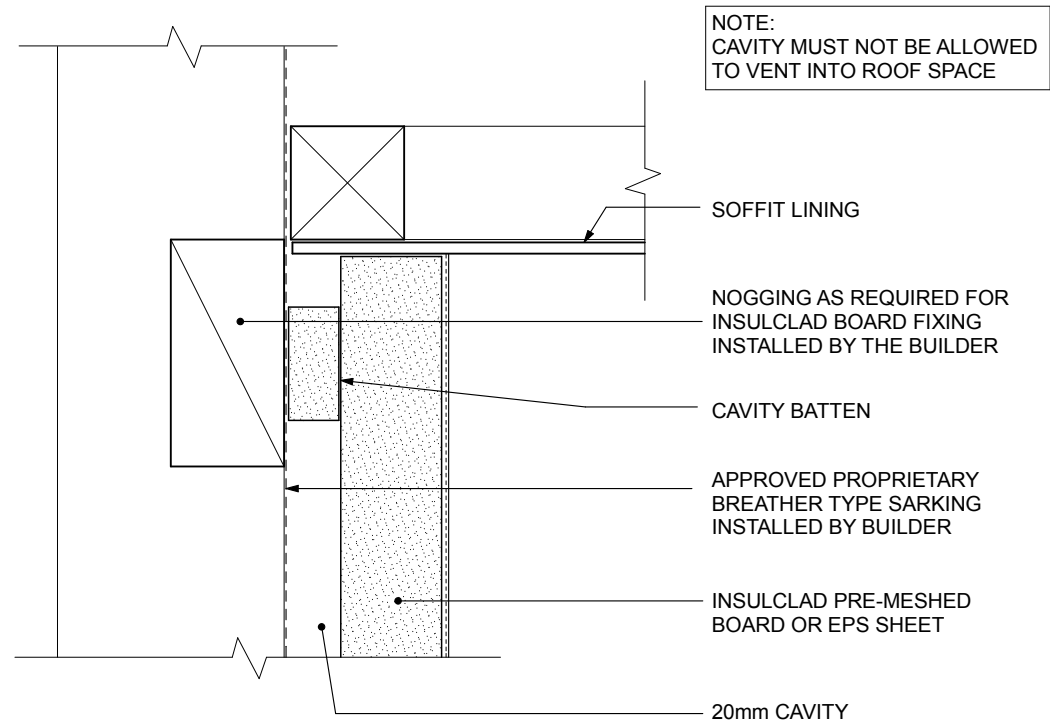
PUNCHINGS IN VENT STRIP TO PROVIDE VENTILATION OPENINGS OF 1000mm<sup>2</sup> PER LINEAL METRE



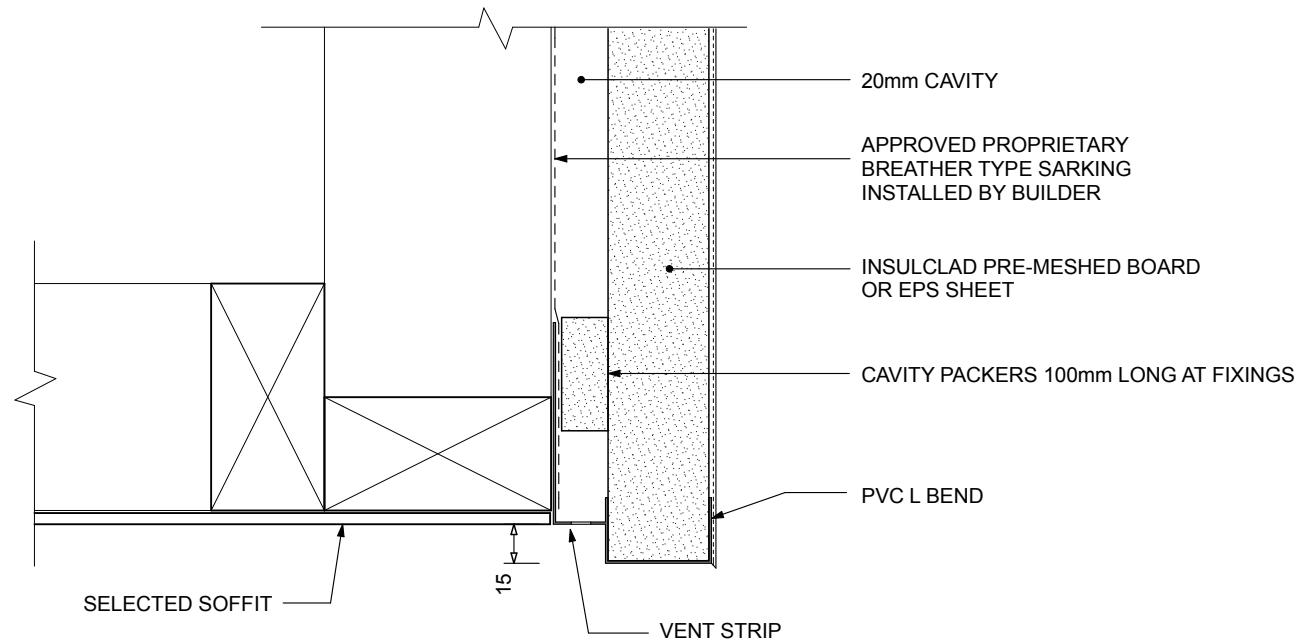
**PIPE PENETRATION - CAVITY**

NOVEMBER 2010

COMMENT: WHERE POSSIBLE PIPE PENETRATIONS SHOULD BE INSTALLED SLOPING DOWN



**SOFFIT DETAIL - CAVITY**  
NOVEMBER 2010

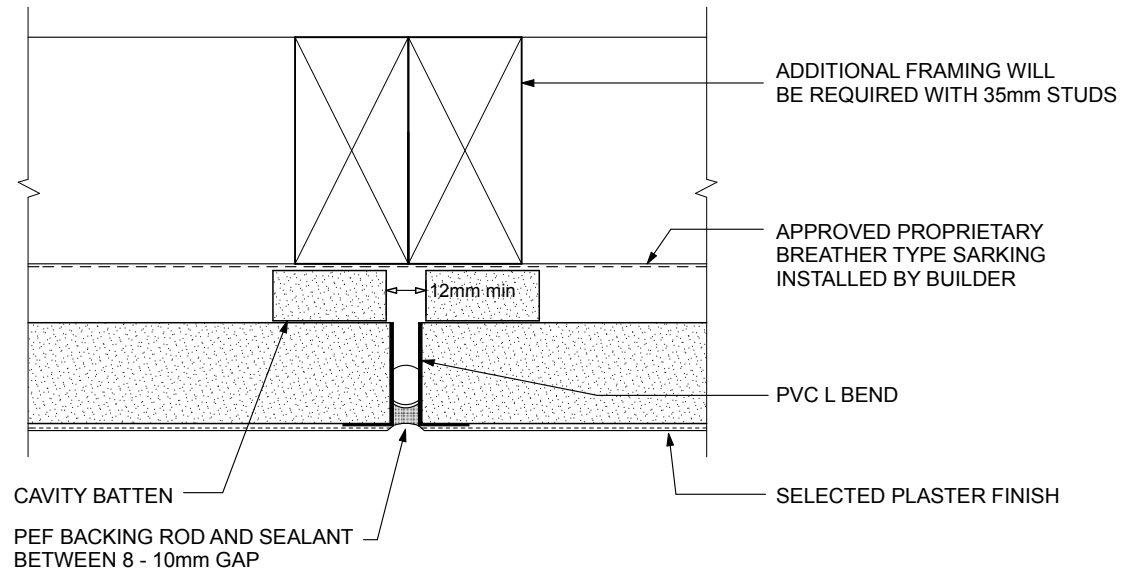


## SOFFIT EDGE DETAIL - CAVITY

NOVEMBER 2010

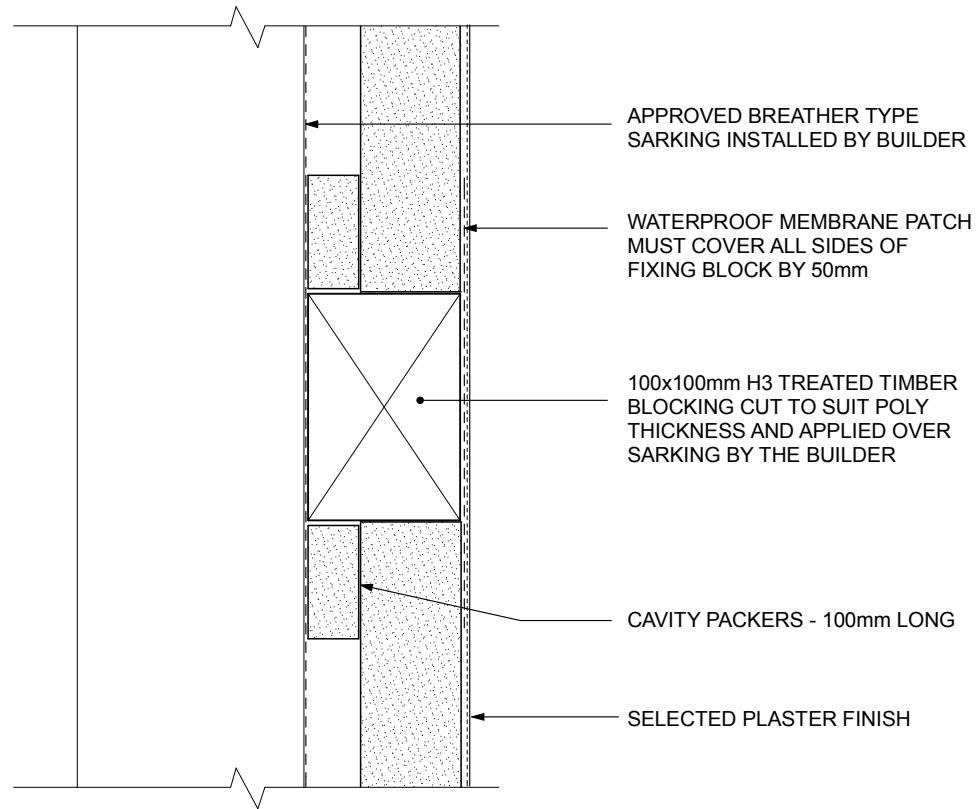
NOTE:

PUNCHINGS IN VENT STRIP TO PROVIDE VENTILATION OPENINGS OF 1000mm<sup>2</sup> PER LINEAL METRE



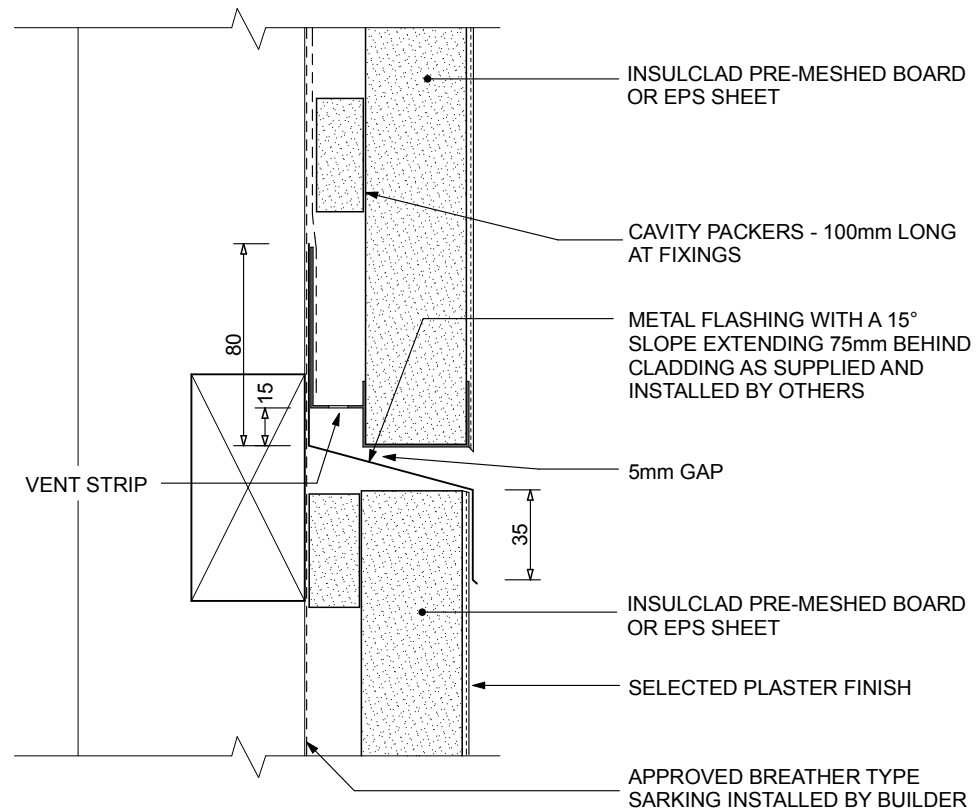
## VERTICAL CONTROL JOINT - CAVITY

NOVEMBER 2010



## FIXING BLOCK - CAVITY

NOVEMBER 2010

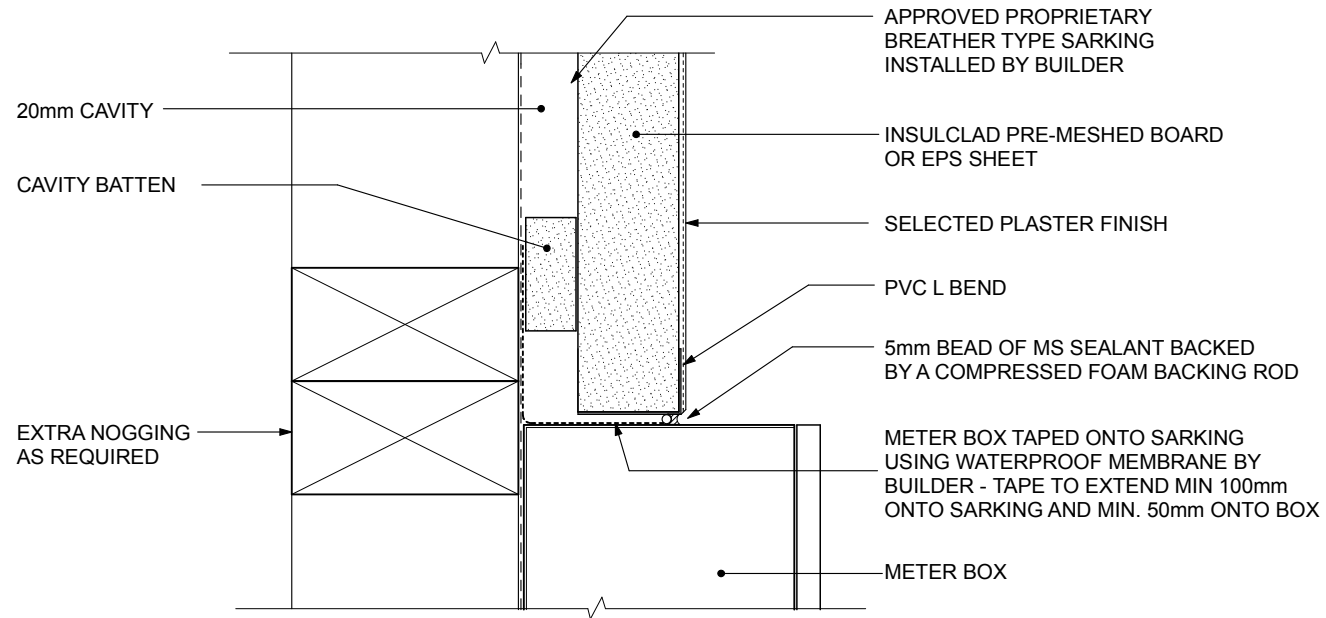


## INTERSTOREY DRAINAGE JOINT - CAVITY

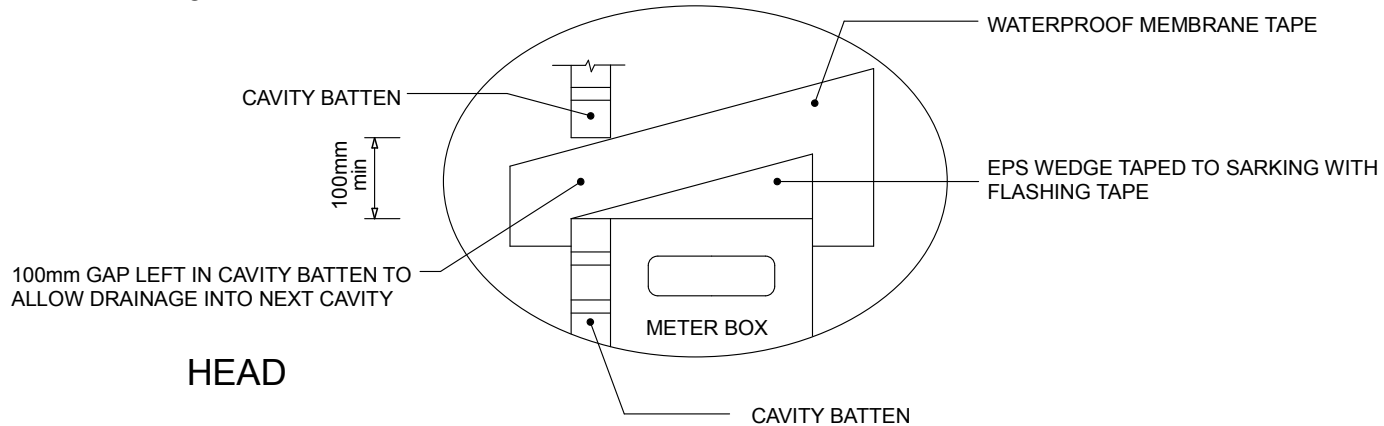
NOVEMBER 2010

**NOTE:**

THIS DETAIL IS REQUIRED AT THE SECOND STOREY JOIST LEVEL  
 PUNCHINGS IN VENT STRIP TO PROVIDE VENTILATION OPENINGS OF  
 1000mm<sup>2</sup> PER LINEAL METRE



### JAMB

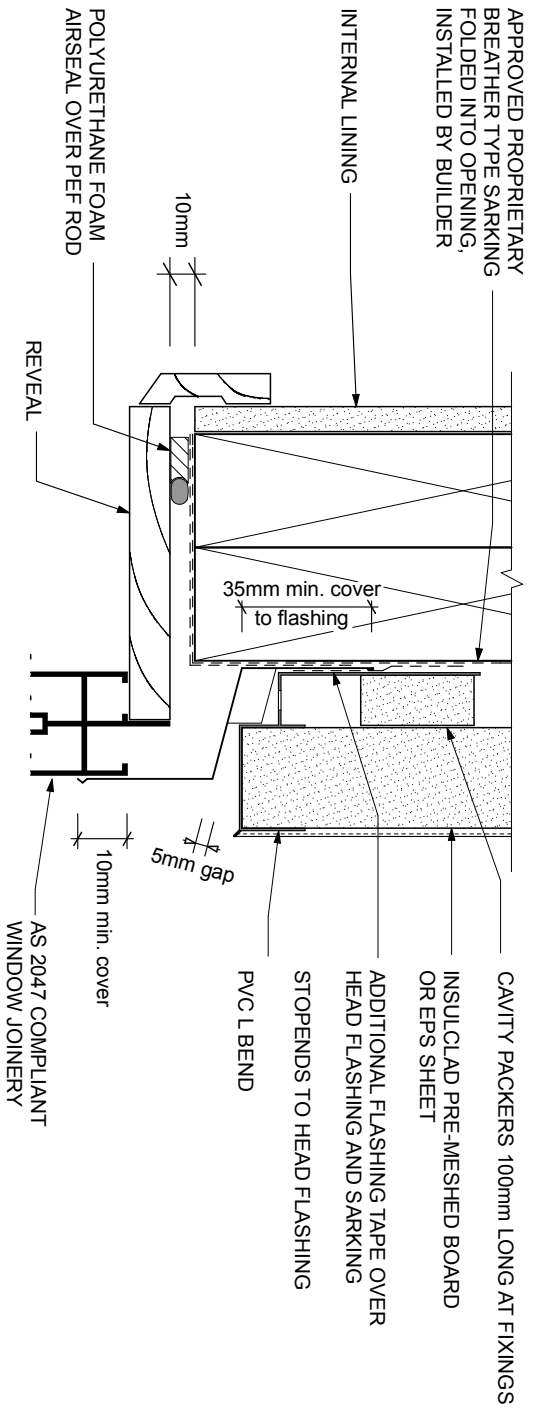


### HEAD

## METER BOX - HEAD AND JAMB - CAVITY

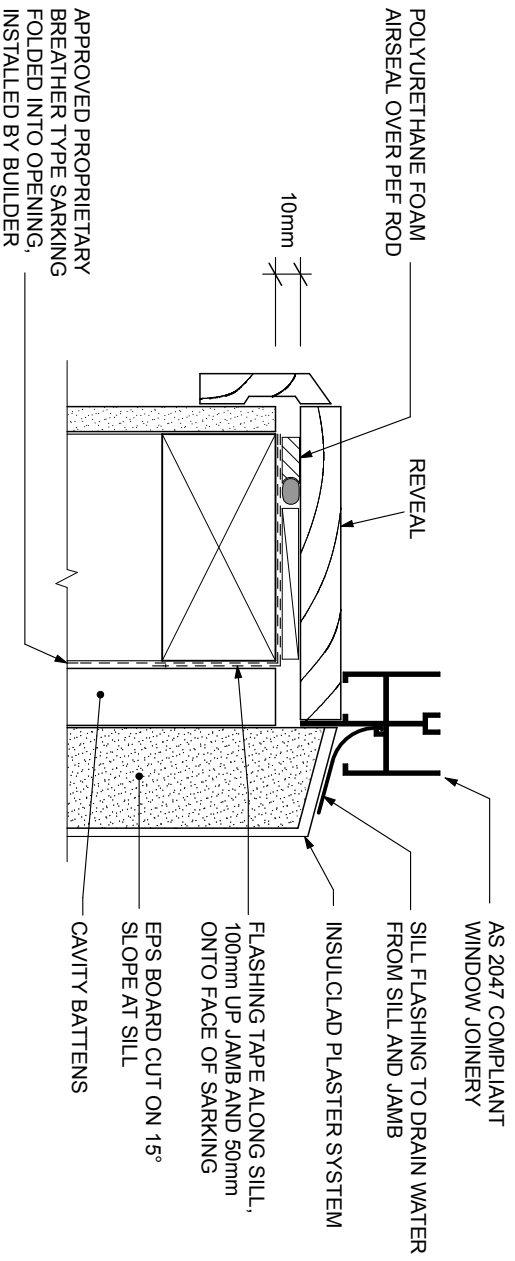
NOVEMBER 2010





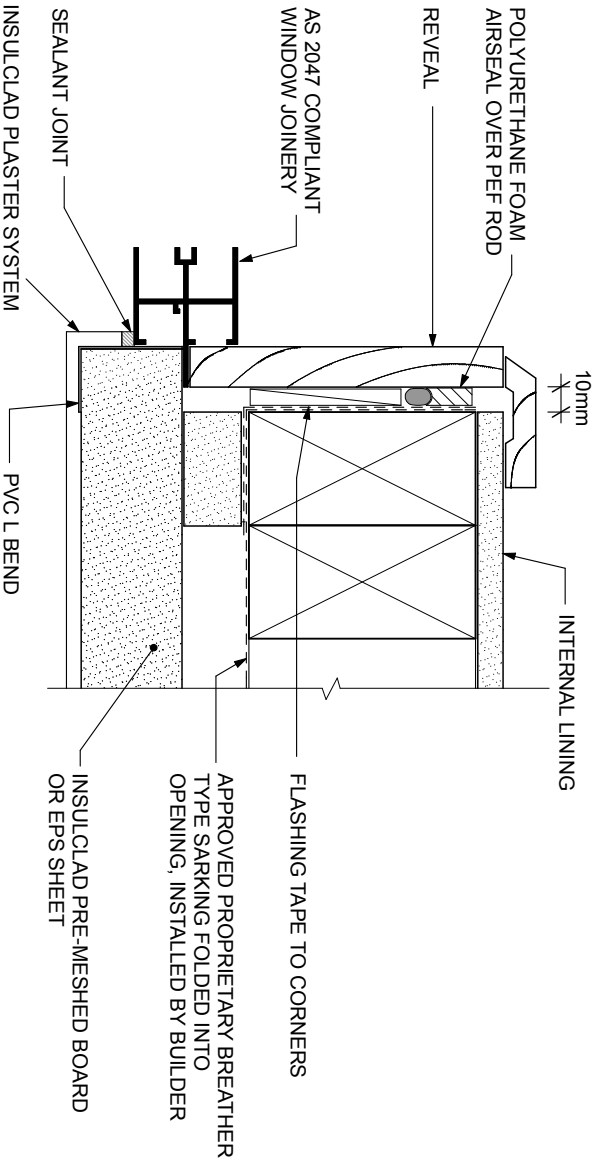
### WINDOW HEAD - CAVITY

NOVEMBER 2010



### WINDOW SILL - CAVITY

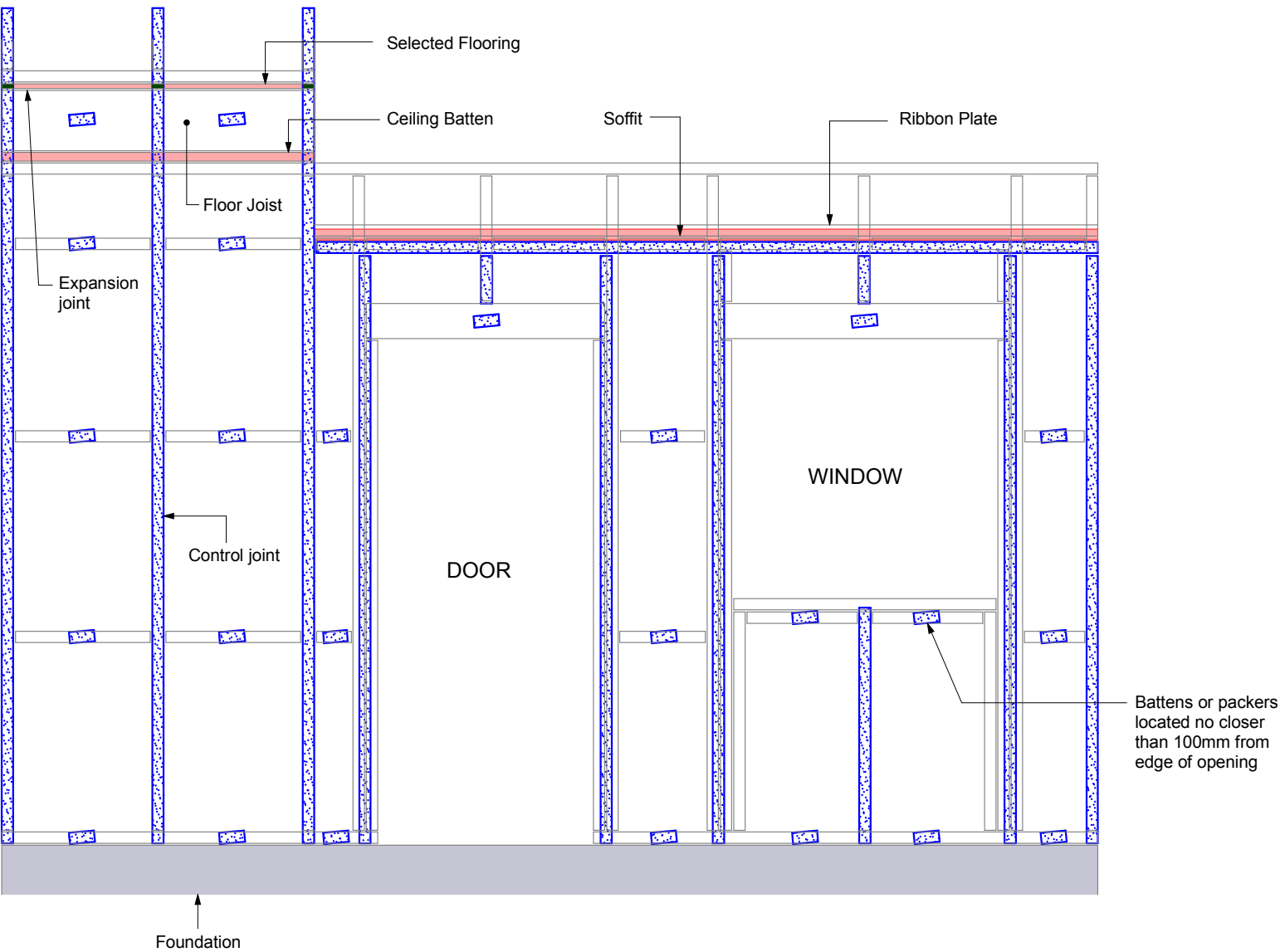
NOVEMBER 2010



### WINDOW JAMB - CAVITY

NOVEMBER 2010

# TYPICAL BATTEN LAYOUT



## NOTES:

- If additional wall insulation is being installed, the sarking must be supported by polypropylene builders strap stapled along the wall at 300mm centres to stop the wrap bulging.
- All horizontal battens must be applied on a minimum slope of 15 degrees and be no longer than 100mm in length. (Only one horizontal packer may be placed between vertical battens.)